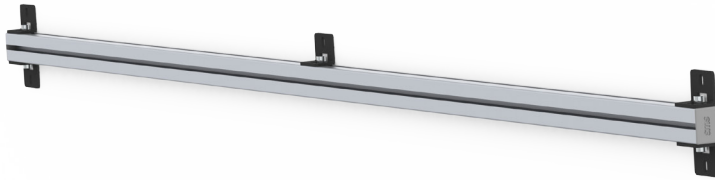


SMS MULTI DISPLAY WALL PILLAR



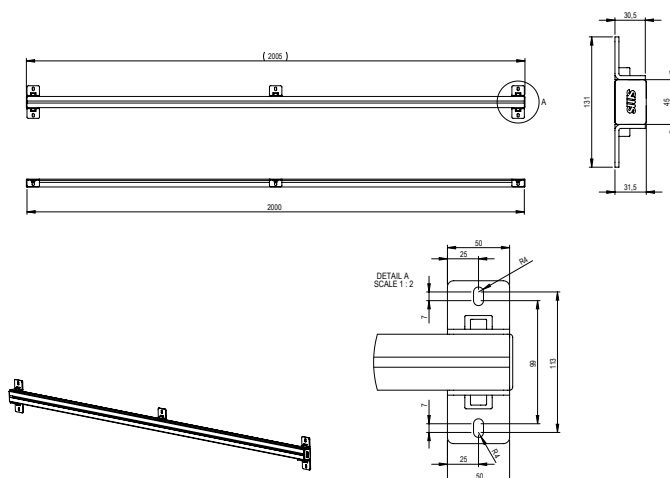
Extra fast and accurate mounting of video rows.

Using one long mounting rail rather than several small ones allows you to mount SMS Multi Display Wall modules faster, and perfectly aligned. The long rail has an additional advantage where it is necessary to fix mounting screws in wall beams, since it will cover more beams. This makes it easier to find the locations of a sufficient number of beams for safe mounting.

The product consists of either one rail of length 2,000 mm or two rails of length 2,000 mm, on which Multi Display Wall modules are mounted as required. It is possible to cut and combine the rails freely. And everything is made from aluminium.

TECHNICAL DRAWING (MM)

PW010016 SMS MULTI DISPLAY WALL PILLAR 1X2000



INFO

- Finish: Aluminium
- Choose between either one package with one rail of length 2,000 mm (PW010016) or one package with two rails of length 2,000 mm (PW010006).
- The rails can be cut to the desired length.
- Simplifies mounting of the Multi Display Wall series. Wall fittings and end caps are included in the Multi Display order.
- NB! It is important to use all of the pieces that are included in the Multi Display wall fittings used with the product, in order to ensure the strength and load capacity of the mounting.



SIMPLE ORDERING

ART. NO.

PW010016 SMS Multi Display Wall Pillar
1x2000 mm

PW010006 SMS Multi Display Wall Pillar
2x2000 mm